



PRODUCT DATA SHEET

Kappadue wall

Code : 0150181G

PRODUCT FAMILY

Outdoor residential wall washer for direct wall mounting (IP65)

MATERIAL CHARACTERISTICS

Body and mounting base in die-cast aluminium EN AB 46100 highly castable and flowable to prevent formation of air bubbles and allow the filling of castings with thin walls, treated by cleaning, degreasing and brushing.

Then phosphating with zinc salts followed by passivation with demineralized water and oven drying at 110°C

Thermosetting powder coating (based on carboxylated saturated polyester resins specifically selected for their high resistance to weathering) (hardener without TGIC) having pigments with high stability to light and heat

Thermo-polymerization at 200°C

Diffuser in flat, tempered and printed glass, 6mm thickness.

Colour: Textured Metallic Grey, Black, Rust, White.

Gaskets in silicone

Screws in stainless steel A2

LIGHTING CHARACTERISTICS

Extremely compact fitting ideal for wall washing in either single emission (30°) or double emission (10-30°) for direct or indirect lighting

Lamp is in a fixed position

WIRING CHARACTERISTICS

Supply terminal for cables with 2.5mm² max. in the gear compartment under the base

INSTALLATION AND ORDINARY MAINTENANCE CHARACTERISTICS

Fitting for wall installation, fixed with n.2 screws (not supplied)

The gear compartment is protected by a silicone gasket which seals against the wall surface (surface should be smooth and not uneven or with large gaps, e.g. brick work).

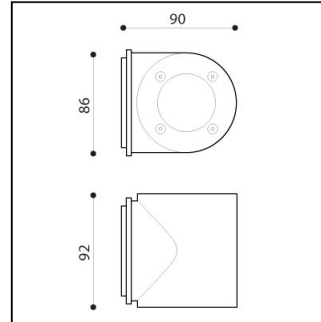
Ordinary maintenance by removing the n.4 screws from the diffuser and accessing optic compartment

MEASUREMENT CHARACTERISTICS

Fitting, cylindrical shaped, with structural base Ø86mm diameter, a height of 92mm and an overhang of 90mm

Details

- Conformity with CEE directives
- Mounting on normal flammable surface
- Resistant to atmospheric agents
- Inalterable to ultraviolet radiations
- IP 65



230V 50Hz HRG 50W GU10



IP65

