



PRODUCT DATA SHEET

Lux Est 85 wall or ceiling

Code : 0157101J

PRODUCT FAMILY

Outdoor residential square shaped complete with base for wall (IP40), floor (IP44) and ceiling (IP43) mounting.

MATERIAL CHARACTERISTICS

Body in extruded aluminium EN AW 6060 with T5 thermal treatment (hardness Brinell 55-80HB), subjected to cleaning and degreasing treatment before anodizing

Powder coating process: (Colours: Anthracite, Rust and White)

Degreasing, then phosphating with zinc salts followed by passivation with demineralized water and oven drying at 110°C

Thermosetting powder coating (based on carboxylated saturated polyester resins specifically selected for their high resistance to weathering) (hardener without TGIC) having pigments with high stability to light and heat

Thermopolymerization at 200°C

Diffuser, flush with body in translucent PMMA with acid etched effect, attached to the extruded body through an NYLON-FIBREGLASS30% connector and sealed with silicone based bonding glue, neutral, anti-mould, low elasticity with high resistance to aging, atmospheric agents and UV radiation.

Base in NYLON-FIBREGLASS30% flush with body

Colours: Aluminium, Anthracite, Rust and White.

Gaskets in silicone

Screws in stainless steel A2

LIGHTING CHARACTERISTICS

Fluorescent light source, fixed position

WIRING CHARACTERISTICS

Base fitted with external compartment to house excess cable, entrance through cable tray for connection to E27 lamp holder.

INSTALLATION AND ORDINARY MAINTENANCE CHARACTERISTICS

Fitting installed directly to wall with n.4 screws (NOT SUPPLIED).

Ordinary maintenance carried out by loosening the 2 closing screws and removing body.

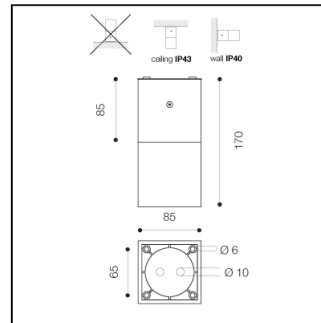
MEASUREMENT CHARACTERISTICS

Square shaped diffuser with height 85mm, for lamps with max. height 120mm

Square shaped body 85mmx85mm with height 170mm (including diffuser)

Details

- Conformity with CEE directives
- Double insulation/class II
- Mounting on normal flammable surface
- Energy-saving fittings
- Resistant to atmospheric agents
- Inalterable to ultraviolet radiations
- IP



230V 50Hz FBT 12W E27

