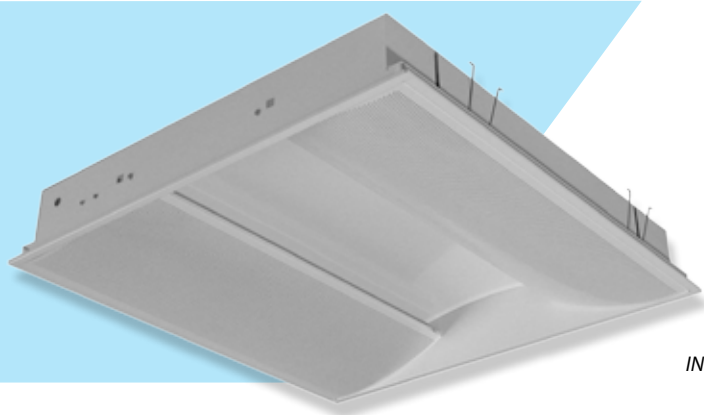


# IN, IN2



IN236



IN2C236

## Recessed indirect fittings

### Body:

White painted (RAL 9003) metal sheet

### Optic (&):

A - closed cover with central perforated stripe, white painted reflectors

B - closed cover, white painted reflectors

C - perforated lamp cover, white painted reflectors

### Wiring (#):

compensated, ballast cat. B (standard for 36W lamps)

EP - high frequency ballast HFB

(standard for 55W or T5 lamps)

EPSA - HFB analogue dimmable (1-10 V)

EPSD - HFB digital dimmable TRIDONIC ECO

EPSDD - HFB digital dimmable DALI

### Application:

Recessed light fitting for installation into false ceiling with visible supporting structure (600x600/625x625 modules) or gypsum plasterboard.

### Accessories:

Fixing clips for installation into gypsum plasterboard – 542141.

Reduction frame for installing light fitting module 600 into false ceiling module 625.

### Versions (@):

600 - for 600 module

ISO - external connection board ISODOM

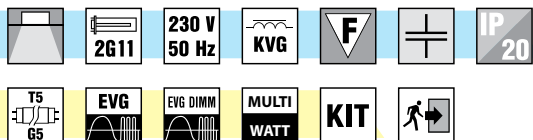
KIT - external connection board BJB

K - with WIELAND connector

F - with flexible cord

NZ - emergency pack

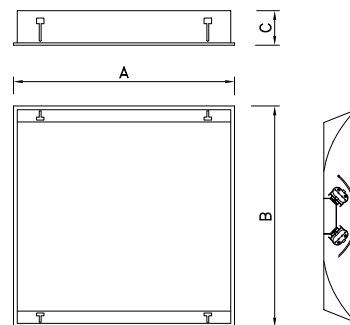
For more info see pages 24-25.



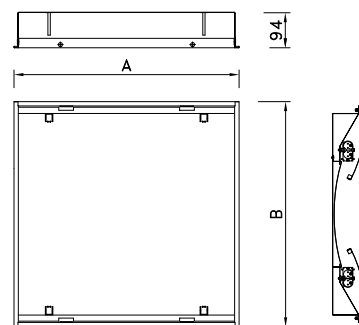
INA



INB



IN



IN2

Typ	⊗	W	Modul 600			kg
			A	B		
IN&136600 #@	TC-L	1x36	596	596	576x576	4,0
IN&236600 #@	TC-L	2x36	596	596	576x576	4,0
IN&140600 #@	TC-L	1x40	596	596	576x576	4,0
IN&240600 #@	TC-L	2x40	596	596	576x576	4,0
IN&155600 #@	TC-L	1x55	596	596	576x576	3,7
IN&255600 #@	TC-L	2x55	596	596	576x576	3,7
IN&114(24)600 #@	T5	1x14(24)	596	596	576x576	3,7
IN&214(24)600 #@	T5	2x14(24)	596	596	576x576	3,7
IN2C236600 #@	TC-L	2x36	596	596	576x576	4,0
IN2C240600 #@	TC-L	2x40	596	596	576x576	3,7
IN2C255600 #@	TC-L	2x55	596	596	576x576	3,7
IN2C214(24)600 #@	T5	2x14(24)	596	596	576x576	3,7