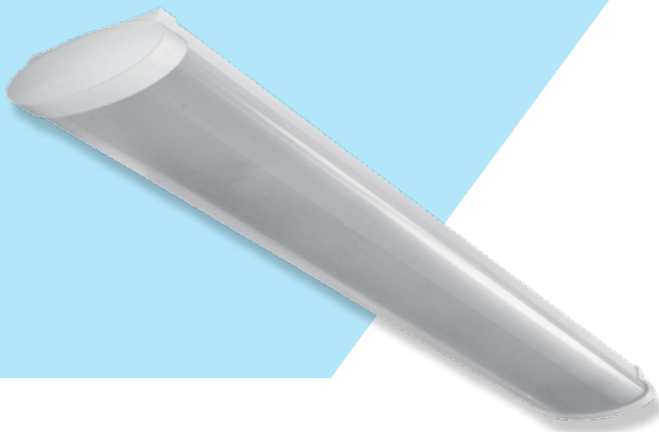


KS

Surface mounted / pendant light fittings with cover



KSC236

Body:

White painted (RAL 9003) metal sheet
White plastic endcaps

Optic (&):

O - opal polystyrol cover
C - prismatic polystyrol cover
S - PMMA semiopal cover

Wiring (#):

N - uncompensated, ballast cat. B
K - compensated, ballast cat. B
EP - high frequency ballast HFB
EPSA - HFB analogue dimmable (1-10 V)
EPSD - HFB digital dimmable TRIDONIC ECO
EPSDD - HFB digital dimmable DALI
MULTIWATT - universal HFB for T5 lamps

Application:

These light fittings can be used as surface mounted or suspended.

Accessories:

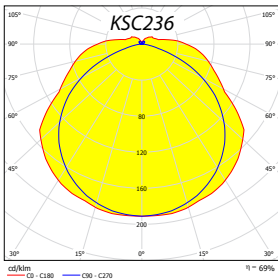
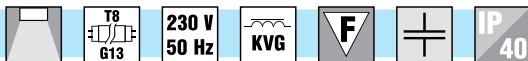
Tube suspension
Cord suspension ZH22
Protection grid OM
Standard endcap 4311011
Connecting endcap 4311012

Versions (@):

NZ - emergency pack
P - fittings for continuous assembly

Note:

To compile rows, fittings for continuous assembly (with through wiring 5x1,5 mm²) with connecting endcaps have to be used. They are signed (/P). For ending the row, it is necessary to order extra two standard endcaps.



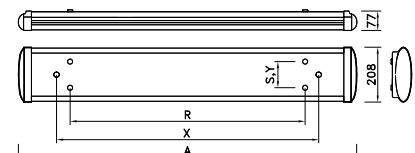
KSC 2x



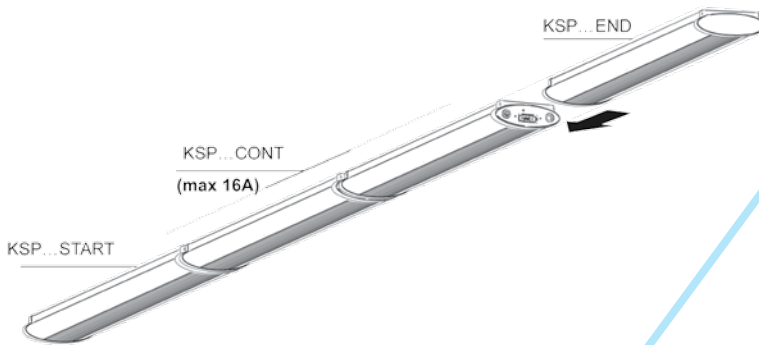
KSC 1x



	W	A	X	Y	R	S	kg
KS&118 #@	1x18	683	500	0	500	0	1,9
KS&218 #@	2x18	683	400	100	500	100	2,0
KS&136 #@	1x36	1293	800	0	850	100	3,2
KS&236 #@	2x36	1293	800	0	850	100	3,8
KS&158 #@	1x58	1593	1000	0	1000	100	4,8
KS&258 #@	2x58	1593	1000	0	1000	100	5,4
KS&114(24) #@	1x14 (24)	683	500	0	500	0	1,6
KS&214 (24) #@	2x14 (24)	683	400	100	500	100	1,6
KS&128 (54) #@	1x28 (54)	1293	1000	0	1000	100	3,1
KS&228 (54) #@	2x28 (54)	1293	1000	0	850	100	3,1
KS&135 (49,80) #@	1x35 (49,80)	1593	1000	0	1000	100	4,4
KS&235 (49,80) #@	2x35 (49,80)	1593	1000	0	1000	100	4,4



Surface mounted / pendant light fittings with cover, for installation to row



Body:

White painted (RAL 9003) metal sheet
White plastic endcaps

Optic (&):

O - opal polystyrol cover
C - prismatic polystyrol cover
S - PMMA semiopal cover

Wiring (#):

K - compensated, ballast cat. B
EP - high frequention ballast HFB

Application:

These light fittings can be used as surface mounted or suspended.

Accessories:

Tube suspension
Cord suspension ZH22
Standard endcap 4311011
Connecting endcap 4311012

Note:

These light fittings are supplied with connecting endcaps with connectors. Through wiring (continuous assembly) is made for one phase (3x 1,5 mm²). The row can be compiled by START, CONT and END fittings:
KSP START - contains terminal block, 1 standard endcap, 1 connecting endcap with connector
KSP CONT - without terminal block, contains 2 connecting endcaps with connectors
KSP END - without terminal block, contains 1 connecting endcap with connector, 1 standard endcap



STANDARD AND CONNECTION ENDCAP



CONNECTION ENDCAP WITH A CONNECTOR

	*	W	A	kg
KSP&118#*	START, CONT, END	1x18	645	1,9
KSP&218#*	START, CONT, END	2x18	645	2,0
KSP&136#*	START, CONT, END	1x36	1255	3,2
KSP&236#*	START, CONT, END	2x36	1255	3,8
KSP&158#*	START, CONT, END	1x58	1555	4,8
KSP&258#*	START, CONT, END	2x58	1555	5,4
KSP&114 (24)*	START, CONT, END	1x14 (24)	645	1,6
KSP&214 (24)*	START, CONT, END	2x14 (24)	645	1,6
KSP&128 (54)*	START, CONT, END	1x28 (54)	1255	3,1
KSP&228 (54)*	START, CONT, END	2x28 (54)	1255	3,1
KSP&135 (49,80)*	START, CONT, END	1x35 (49,80)	1555	4,4
KSP&235 (49,80)*	START, CONT, END	2x35 (49,80)	1555	4,4