

# IS-CP4A-BG/IS-CP4B-BG Break Glass Call Point

The IS-CP4A-BG and IS-CP4B-BG break glass manual call points are approved for Zones 0, 1, 2, 21 & 22 requiring intrinsically safe equipment for the control of fire and gas alarm systems. Available with and without monitoring resistors all versions are certified to ATEX and IECEx standards.

The IS-CP4 range features enclosures manufactured from corrosion proof, marine grade, copper free LM6 (A413) aluminium which is phosphated and powder coated.

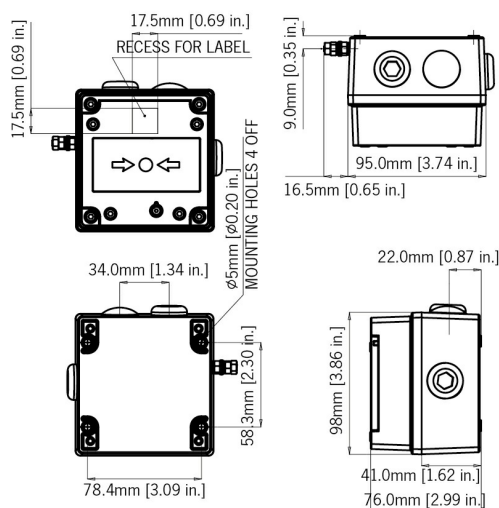
## Options

- Alternative housing colours are available to meet specific requirements.
- DIN rail mounted terminal blocks: 8 x 2.5mm<sup>2</sup>
- Stainless Steel lift flap
- Metalised Polyester "Duty" label.
- Series and/or End of Line resistors.

## Approvals

- ATEX certificate: SIRA 09ATEX2287X, EN 60079-0 : 2012, EN 60079-11 : 2012, IEC 60079-26 : 2014, EN 60079-31 : 2014
- IECEx certificate: IECEx SIR 09.0122X, IEC 60079-0 : 2011, IEC 60079-11 : 2011, IEC 60079-26 : 2014, IEC 60079-31 : 2013
- GOST-R certificate: POCC GB.JB05.B03365





## Specification

IS-CP4A-BG:	II 1G Ex ia IIC T6 Ga II 2D Ex t IIIC T60°C Db IP66
IS-CP4B-BG:	II 1G Ex ia IIC T4 Ga IP66
Ambient:	Ta = -40°C to +55°C [-40° to +131 °F]
Ingress protection:	IP66
Housing material:	Marine grade copper free LM6 Aluminium
Housing finish:	Phosphated & powder coated finish: anti-corrosion.
Colour:	RAL3000 Red (others available on request)
Cable entries:	2 x M20 clearance top and 1 x M20 clearance side. Back box can be rotated to give 2 x bottom and 1 x side entries.
Stopping plugs:	2 x nylon plugs as standard Brass and stainless steel plugs optional
Terminals:	6 x 4.0mm <sup>2</sup> cables or or 8 x 2.5mm <sup>2</sup> DINrail
Weight:	0.8Kg

## Part Codes

Option:	Code:	Description:
Type:	IS-CP4A-BG	A type - no end of line devices
	IS-CP4B-BG	B type - choice of end of line devices
Terminals:	ST	ST: Standard
	DR	DR: DINrail (only on IS-CP4B type)
Lift flap:	LF	Lift flap
	NF	No lift flap
Duty label:	NL	No duty label
	DL	Duty label required - specify contents
Colour:	RD	Red enclosure colour
	XX	Other enclosure colour - contact sales
E.O.L. Resistor:	ExxxR	Resistor value in Ohms e.g. E470R = 470 Ohm (only required for BExCP3B type)
Series Resistor:	SxxxR	Resistor value in Ohms e.g. E1K5R = 1.5K Ohm (only required for BExCP3B type)
e.g. IS-CP4A-BG-ST-LF-NL-RD		
IS-CP4A Break glass call point with standard terminals, lift flap and no duty label. Red housing		
e.g. IS-CP4B-BG-DR-NF-NL-RD-24V-E470R		
IS-CP4B Break glass call point with DIN rail terminals, no lift flap, no duty label, 24V supply with a 470 Ohm end of line resistor. Red housing.		

## Versions

Version:	Input:	Voltage:	Terminals:	Cable entries:
IS-CP4A-BG	Ui = 30V Ii = 500mA Pi = 1.1W Ci = 0 Li = 0	250V ac Max. 5.0A Max. 50V dc Max. 1.0A Max.	6 x 4mm <sup>2</sup>	2 x M20 Top/Bottom 1 x M20 Left/Right

**Coding:** II 1G Ex ia IIC T6 Ga Ta = -40°C to +55°C  
II 2D Ex t IIIC T60°v C Db IP66

Version:	Input:	Terminals:	Cable entries:
IS-CP4B-BG	Ui = 30V Ii = 500mA Pi = 1.1W Ci = 0 Li = 0	6 x 4mm <sup>2</sup> or 8 x 2.5mm <sup>2</sup> DINrail	2 x M20 Top/Bottom 1 x M20 Left/Right

**Coding:** II 1G Ex ia IIC T4 Ga Ta = -40°C to +55°