

IS-CP4A-PB/IS-CP4B-PB Push Button Call Point

The IS-CP4A-PB and IS-CP4B-PB push button manual call points are approved for Zones 0, 1, 2, 21 & 22 requiring intrinsically safe equipment for the control of fire and gas alarm systems. Available with and without monitoring resistors all versions are certified to ATEX and IECEx standards.

The push button mechanism is protected by a spring loaded cover therefore the switch requires a two-action activation. The product is user resettable by rotating the push button.

The IS-CP4 range features enclosures manufactured from corrosion proof, marine grade, copper free LM6 (A413) aluminium which is phosphated and powder coated.

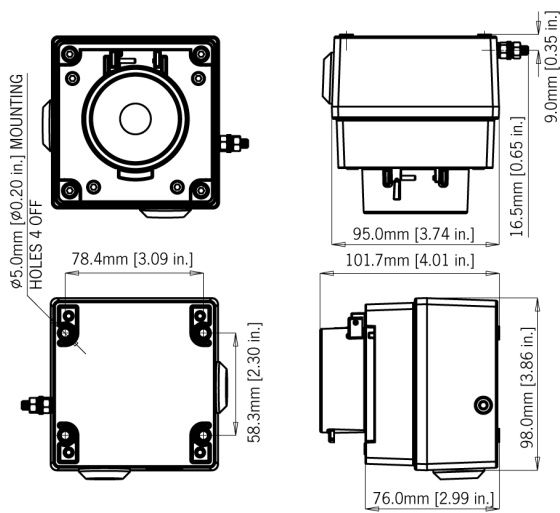
Options

- Alternative housing colours are available to meet specific requirements.
- DIN rail mounted terminal blocks: 8 x 2.5mm²
- Metalised Polyester "Duty" label.
- Series and/or End of Line resistors.

Approvals

- ATEX certificate: SIRA 09ATEX2287X, EN 60079-0 : 2012, EN 60079-11 : 2012, IEC 60079-26 : 2014, EN 60079-31 : 2014
- IECEx certificate: IECEx SIR 09.0122X, IEC 60079-0 : 2011, IEC 60079-11 : 2011, IEC 60079-26 : 2014, IEC 60079-31 : 2013
- GOST-R certificate: POCC GB.JB05.B03365





Specification

IS-CP4A-PB:	II 1G Ex ia IIC T6 Ga II 2D Ex t IIIC T60°C Db IP66
IS-CP4B-PB:	II 1G Ex ia IIC T4 Ga II 2D Ex t IIIC T70°C Db IP66
Ambient:	Ta = -40°C to +55°C [-40° to +131°F]
Ingress protection:	IP66
Housing material:	Marine grade copper free LM6 Aluminium
Housing finish:	Phosphated & powder coated finish: anti-corrosion.
Colour:	RAL3000 Red (others available on request)
Cable entries:	2 x M20 clearance top and 1 x M20 clearance side. Back box can be rotated to give 2 x bottom and 1 x side entries.
Stopping plugs:	2 x nylon plugs as standard Brass and stainless steel plugs optional
Terminals:	6 x 4.0mm ² cables or or 8 x 2.5mm ² DINrail
Weight:	0.8Kg

Part Codes

Option:	Code:	Description:
Type:	IS-CP4A-PB	A type - no end of line devices
	IS-CP4B-PB	B type - choice of end of line devices
Terminals:	ST	ST: Standard
	DR	DR: DINrail (only on IS-CP4B type)
Duty label:	NL	No duty label
	DL	Duty label required - specify contents
Colour:	RD	Red enclosure colour
	XX	Other enclosure colour - contact sales
E.O.L. Resistor:	ExxxR	Resistor value in Ohms e.g. E470R = 470 Ohm (only required for BExCP3B type)
Series Resistor:	SxxxR	Resistor value in Ohms e.g. E1K5R = 1.5K Ohm (only required for BExCP3B type)
e.g. IS-CP4A-PB-ST-LF-NL-RD		
IS-CP4A Push button call point with standard terminals and no duty label. Red housing		
e.g. IS-CP4B-PB-DR-NF-NL-RD-2 4V-E470R		
IS-CP4B Push button call point with DIN rail terminals, no duty label, 24V supply with a 470 Ohm end of line resistor. Red housing.		

Versions

Version:	Input:	Voltage:	Terminals:	Cable entries:
IS-CP4A-PB	Ui = 30V Ii = 500mA Pi = 1.1W Ci = 0 Li = 0	250V ac Max. 5.0A Max. 50V dc Max. 1.0A Max.	6 x 4mm ²	2 x M20 Top/Bottom 1 x M20 Left/Right

Coding: II 1G Ex ia IIC T6 Ga Ta = -40°C to +55°C
II 2D Ex t IIIC T60°v C Db IP66

Version:	Input:	Terminals:	Cable entries:
IS-CP4B-PB	Ui = 30V Ii = 500mA Pi = 1.1W Ci = 0 Li = 0	6 x 4mm ² or 8 x 2.5mm ² DINrail	2 x M20 Top/Bottom 1 x M20 Left/Right

Coding: II 1G Ex ia IIC T4 Ga Ta = -40°C to +55°