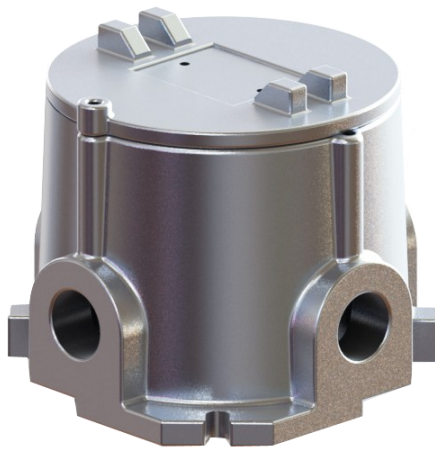


Zone 1, 2, 21, 22



APPLICATION

Explosion proof terminal box type JBX 01 is empty Ex d enclosure (component) in which are installed industry-standard performance equipment (low voltage switching devices, electrical appliances) .

It has been certified for use in hazardous area due to the presence of flammable and explosive gases, vapors and dusts in Zones 1, 2, 21, 22.

CONSTRUCTION

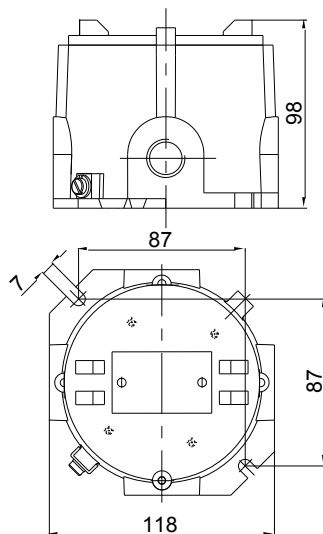
Enclosure: corrosion resistant grey polyurethanes painted aluminium color RAL 7000
Gasket: Silicon

TECHNICAL DATA

Certificate:	EXA 13 ATEX 0003U
Marking:	CE 2465
Apparatus category:	II 2G II 2D
Marking of explosion protection:	Ex d IIC Gb Ex tb IIIC Db
Environment temperature:	-20°C ≤ Ta ≤ +60°C
Service temperature:	-20°C ≤ Ta ≤ +80°C
Degree of protection:	IP 66
Insulation class :	I (protective earthing) in accordance with EN 60947
External earthing terminal:	max. 2 x 6 mm ²
Color:	Gray, RAL 7001
Weight:	1,0 kg

DIMENSION

MODEL CODE



TYPE	No. of entries/side	Entries
JBX 01/11	2 / B-D	M20x1,5 - ISO 261
JBX 01/12	3 / B-C-D	
JBX 01/13	4 / A-B-C-D	
JBX 01/31	2 / B-D	3/4" - NPT - ANSI ASME B1.20.1
JBX 01/32	3 / B-C-D	
JBX 01/33	4 / A-B-C-D	
JBX 01/41	2 / B-D	1/2" - NPT - ANSI ASME B1.20.1
JBX 01/42	3 / B-C-D	
JBX 01/43	4 / A-B-C-D	

Ex JUNCTION BOX type JBX 01

