

Zone 1, 2, 21, 22



### APPLICATION

The terminal boxes are intended for the distribution of electrical energy, e.g. light circuits, heating circuits, control circuits, intrinsically safe circuits on places with presence of explosive mixtures of gases, vapor and dust with air, in hazardous areas 1, 2, 21, 22. Enclosure of glass fibre-reinforced polyester resin can be supplied in 7 sizes with various heights and they are suitable for fixed mounting. The terminal boxes are fitted to order with terminals and cable glands. For armored cables all terminal boxes are available with internal metal plate and cable glands for armored cables.

### CONSTRUCTION

Enclosure: SMC glass fibre reinforced polyamide, color - black

Cover: SMC glass fibre reinforced polyamide with integrated thermoplastic elastomer gasket, closes with four M5/M6 stainless steel screws.

### TECHNICAL DATA

Certificate:	ATEX
Marking:	CE 2465
Apparatus category:	II 2G II 2D
Marking of explosion protection:	Ex e II T6, Ex e ia IIC T6, Ex ia IIC T6 tD A21 T80°C
Environment temperature:	-20°C ≤ Ta ≤ +50°C
Degree of protection:	IP 66
Resistance to shock:	IK 07
Insulation class:	I (protective earthing) in accordance with EN 61140
Rated voltage:	Up to 750 V AC
Rated current:	In accordance with table
Surface resistance:	< 10 <sup>9</sup> Ω
Rated cross-section:	max. nominal cross-section 300 mm <sup>2</sup>
N/PE rails inside the Enclosure:	2 pcs, 11 terminals 2x4mm <sup>2</sup> max.
Weight (without cable glands):	SKX 12/E ..... 0.5kg SKX 13/E ..... 0,7kg SKX 14/E ..... 1.0kg SKX 15/E ..... 1.0 - 1,5kg SKX 16/E ..... 3,5kg SKX 18/E ..... 4,5kg SKX 20/E ..... 7,0kg

### MOUNTING

With two/four screws through the housing holes φ6 mm at the peaks the rectangle:

SKX 12: 75 x 50 mm	SKX 16: 235 x 200 mm
SKX 13: 75 x 100 mm	SKX 18: 380 x 200 mm
SKX 14: 75 x 150 mm	SKX 20: 580 x 200 mm
SKX 15: 125 x 150 mm	

Ex TERMINAL BOX type SKX 12/E - 20/E

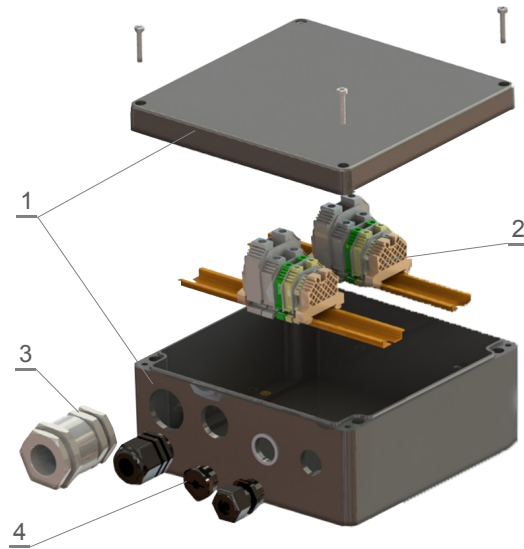


ATEX



## SPARE PARTS AND ACCESSORIES

1. Enclosure, cover gasket
2. Ex e terminals
3. Ex e cable glands (metal, plastic)
4. Ex e plugs



### Terminal box SKX 12/E

Explosion protected terminal box type SKX 12/E, are intended for connection and distribution cables up to the nominal cross section of 4mm<sup>2</sup>.

Conductor connection to the terminals:

2,5 mm<sup>2</sup>; 1 x 1 – 2,5 mm<sup>2</sup> and 2 x 1 – 1 mm<sup>2</sup>  
 4 mm<sup>2</sup>; 1 x 1 – 4 mm<sup>2</sup> and 2 x 1 – 1,5 mm<sup>2</sup>

Length of removing insulation on the conductor and torque tightening the screw terminals:

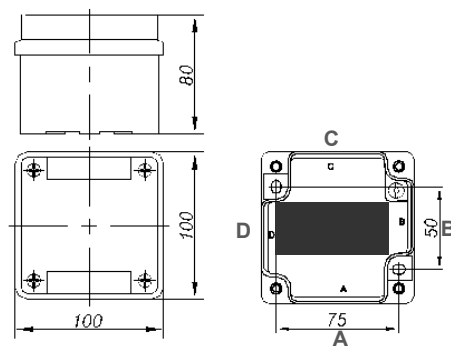
2,5 mm<sup>2</sup> - 10 mm - 0,5 Nm  
 4 mm<sup>2</sup> - 10 mm - 0,6 Nm

**Max. number of line-up terminals wick can be fitted in SKX 12/E01:**  
 5+2 PE terminals - 4mm<sup>2</sup>, max rated current 20A

**Max. number of mounted cable entries:**

**DIMENSIONS [mm]**

Cable gland Side	M16	M20	M25
<b>A-C</b>	2	2	1
<b>B-D</b>	1	1	1



## Terminal box SKX 13/E

Explosion protected terminal box type SKX 13/E, are intended for connection and distribution cables up to the nominal cross section of 6mm<sup>2</sup>.

Conductor connection to the terminals: 2,5 mm<sup>2</sup>; 1 x 1 – 2,5 mm<sup>2</sup> and 2 x 1 – 1 mm<sup>2</sup>  
4 mm<sup>2</sup>; 1 x 1 – 4 mm<sup>2</sup> and 2 x 1 – 1,5 mm<sup>2</sup>  
6 mm<sup>2</sup>; 1 x 1 – 6 mm<sup>2</sup> and 2 x 1 – 2,5 mm<sup>2</sup>

Length of removing insulation on the conductor and torque tightening the screw terminals: 2,5 mm<sup>2</sup> - 10 mm - 0,5 Nm  
4 mm<sup>2</sup> - 10 mm - 0,6 Nm  
6 mm<sup>2</sup> - 12 mm - 1,2 Nm

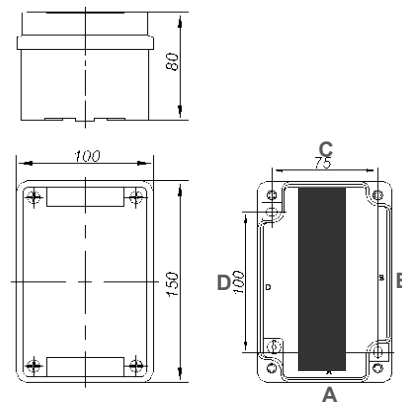
### Max. number of line-up terminals wich can be fitted in SKX 13/E:

SKX 13/E01 - 8+2 PE terminals - 4mm<sup>2</sup>, max rated current 20A  
 SKX 13/E02 - 8+2 PE terminals - 6mm<sup>2</sup>, max rated current 25A

### Max. number of mounted cable entries:

### DIMENSIONS [mm]

Cable gland Side	M16	M20	M25
<b>A-C</b>	2	2	1
<b>B-D</b>	4	3	2



## Terminal box SKX 14/E

Explosion protected terminal box type SKX 14/E, are intended for connection and distribution cables up to the nominal cross section of 6mm<sup>2</sup>.

Conductor connection to the terminals: 2,5 mm<sup>2</sup>; 1 x 1 – 2,5 mm<sup>2</sup> and 2 x 1 – 1 mm<sup>2</sup>  
4 mm<sup>2</sup>; 1 x 1 – 4 mm<sup>2</sup> and 2 x 1 – 1,5 mm<sup>2</sup>  
6 mm<sup>2</sup>; 1 x 1 – 6 mm<sup>2</sup> and 2 x 1 – 2,5 mm<sup>2</sup>

Length of removing insulation on the conductor and torque tightening the screw terminals: 2,5 mm<sup>2</sup> - 10 mm - 0,5 Nm  
4 mm<sup>2</sup> - 10 mm - 0,6 Nm  
6 mm<sup>2</sup> - 12 mm - 1,2 Nm

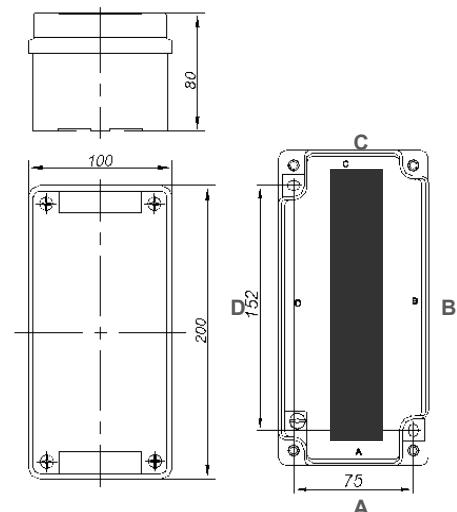
### Max. number of line-up terminals wich can be fitted in SKX 13/E:

SKX 14/E01 - 16+4 PE terminals - 4mm<sup>2</sup>, max rated current 20A  
 SKX 14/E02 - 16+4 PE terminals - 6mm<sup>2</sup>, max rated current 25A

### Max. number of mounted cable entries:

### DIMENSIONS [mm]

Cable gland Side	M16	M20	M25	M32
<b>A-C</b>	2	2	1	1
<b>B-D</b>	6	4	3	2





ATEX



## Terminal box SKX 15/E

Explosion protected terminal box type SKX 15/E, are intended for connection and distribution cables up to the nominal cross section of 25mm<sup>2</sup>.

Conductor connection to the terminals:

2,5 mm <sup>2</sup> ; 1 x 1	-	2,5 mm <sup>2</sup>	and	2 x 1	-	1 mm <sup>2</sup>
4 mm <sup>2</sup> ; 1 x 1	-	4 mm <sup>2</sup>	and	2 x 1	-	1,5 mm <sup>2</sup>
6 mm <sup>2</sup> ; 1 x 1	-	6 mm <sup>2</sup>	and	2 x 1	-	2,5 mm <sup>2</sup>
10 mm <sup>2</sup> ; 1 x 1,5	-	10 mm <sup>2</sup>	and	2 x 1,5	-	4, mm <sup>2</sup>
16 mm <sup>2</sup> ; 1 x 1,5	-	16 mm <sup>2</sup>	and	2 x 1,5	-	4 mm <sup>2</sup>
25 mm <sup>2</sup> ; 1 x 1,5	-	25 mm <sup>2</sup>	and	2 x 1,5	-	4 mm <sup>2</sup>

Length of removing insulation on the conductor and torque tightening the screw terminals:

2,5 mm <sup>2</sup>	-	10 mm	-	0,5 Nm
4 mm <sup>2</sup>	-	10 mm	-	0,6 Nm
6 mm <sup>2</sup>	-	12 mm	-	1,2 Nm
10 mm <sup>2</sup>	-	12 mm	-	2,0 Nm
16 mm <sup>2</sup>	-	14 mm	-	3,0 Nm
25 mm <sup>2</sup>	-	14 mm	-	3,0 Nm

### Terminal fittings, number of conductors which can be fitted depending on conductor cross-section and continues current

Max. current [A]	CROSS SECTION [mm <sup>2</sup> ]									
	Rated cross section of conductors - rated cross section of terminals									
	2,5	4	6	10	16	25				
6	142	Allowed combinations								
10	51						80			
16	23						32	48		
20							20	30	50	
25								16	26	42
35	Unallowable combinations				12	19	29			
50	Unallowable combinations				8	12				
63	Unallowable combinations					6				
Max. number of terminals depending of the enclosure size	28 + rails 2x24 PE	24 + rails 2x24 PE	20	15	10	10				

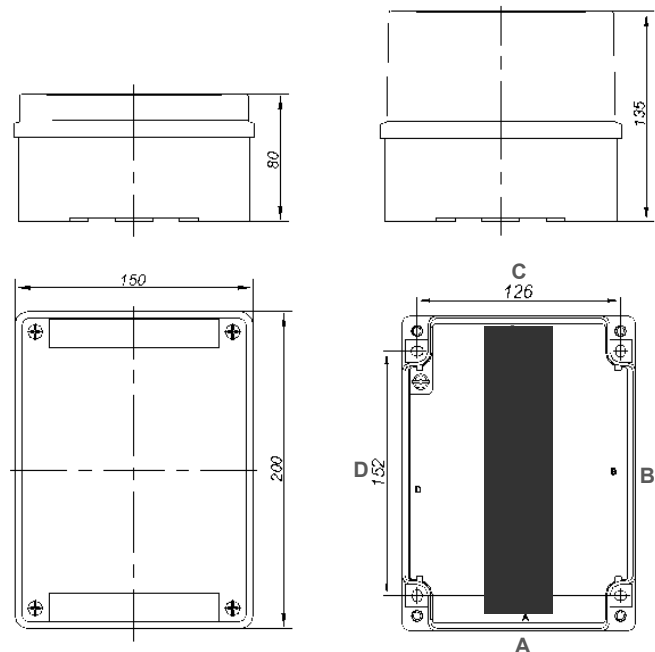
### Max. number of mounted cable entries:

### DIMENSIONS [mm]

Side	Cable gland	M16	M20	M25	M32	M40
A-C		4	3	2	2	1
B-D		6	4	3	2	2

Side	Cable gland	M16	M20	M25	M32	M40
A-C		4	3	2	2	1
B-D		5	3	3	-	-

\*with N/PE rails



## Terminal box SKX 16/E

Explosion protected terminal box type SKX 16/E, are intended for connection and distribution cables up to the nominal cross section of 35mm<sup>2</sup>.

Conductor connection to the terminals:

2,5 mm <sup>2</sup> ; 1 x 1	-	2,5 mm <sup>2</sup>	and	2 x 1	-	1 mm <sup>2</sup>
4 mm <sup>2</sup> ; 1 x 1	-	4 mm <sup>2</sup>	and	2 x 1	-	1,5 mm <sup>2</sup>
6 mm <sup>2</sup> ; 1 x 1	-	6 mm <sup>2</sup>	and	2 x 1	-	2,5 mm <sup>2</sup>
10 mm <sup>2</sup> ; 1 x 1,5	-	10 mm <sup>2</sup>	and	2 x 1,5	-	4 mm <sup>2</sup>
16 mm <sup>2</sup> ; 1 x 1,5	-	16 mm <sup>2</sup>	and	2 x 1,5	-	4 mm <sup>2</sup>
25 mm <sup>2</sup> ; 1 x 1,5	-	25 mm <sup>2</sup>	and	2 x 1,5	-	4 mm <sup>2</sup>
35 mm <sup>2</sup> ; 1 x 2,5	-	35 mm <sup>2</sup>	and	2 x 2,5	-	6 mm <sup>2</sup>

Length of removing insulation on the conductor and torque tightening the screw terminals:

2,5 mm <sup>2</sup>	-	10 mm	-	0,5 Nm
4 mm <sup>2</sup>	-	10 mm	-	0,6 Nm
6 mm <sup>2</sup>	-	12 mm	-	1,2 Nm
10 mm <sup>2</sup>	-	12 mm	-	2,0 Nm
16 mm <sup>2</sup>	-	14 mm	-	3,0 Nm
25 mm <sup>2</sup>	-	14 mm	-	3,0 Nm
35 mm <sup>2</sup>	-	17 mm	-	5,0 Nm

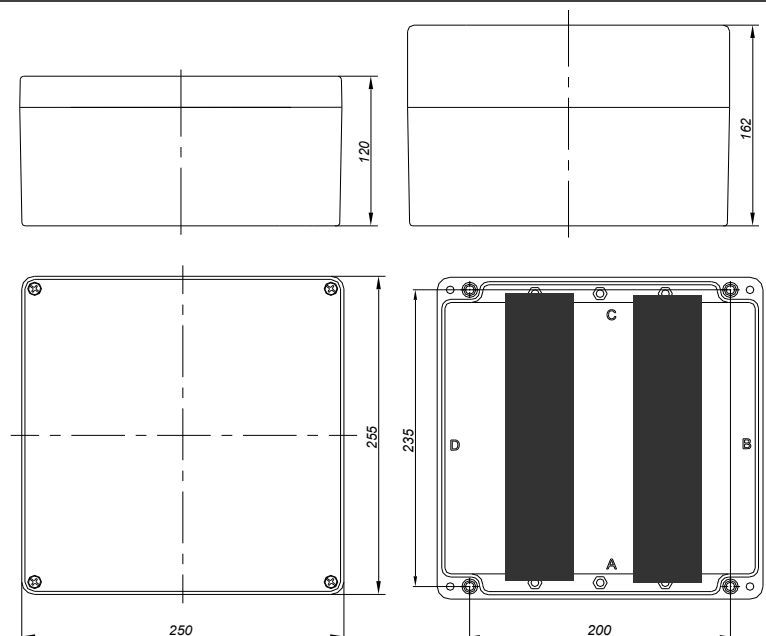
## Terminal fittings, number of conductors which can be fitted depending on conductor cross-section and continues current

Max. current [A]	CROSS SECTION [mm <sup>2</sup> ]													
	Rated cross section of conductors - rated cross section of terminals													
	2,5	4	6	10	16	25	35							
6	Allowed combinations													
10								96						
16								32	96					
20									32	96				
25										32	96			
35											32			
50								Unallowable combinations				32		
63												16	24	24
80												8	8	
Max. number of terminals depending of the enclosure size								80	66	57	44	16	16	12
	double row assembly				single row assembly									

## Max. number of mounted cable entries:

## DIMENSIONS [mm]

Side	Cable gland	M20	M25	M32	M40	M50	M63
B-D		9	9	5	3	3	2
A-C		7	5	3	3	-	-





ATEX

**Terminal box SKX 18/E**

Explosion protected terminal box type SKX 18/E, are intended for connection and distribution cables up to the nominal cross section of 70mm<sup>2</sup>.

Conductor connection to the terminals: 35 mm<sup>2</sup>; 1 x 2,5 – 35 mm<sup>2</sup> and 2 x 2,5 – 6 mm<sup>2</sup>  
50  
70

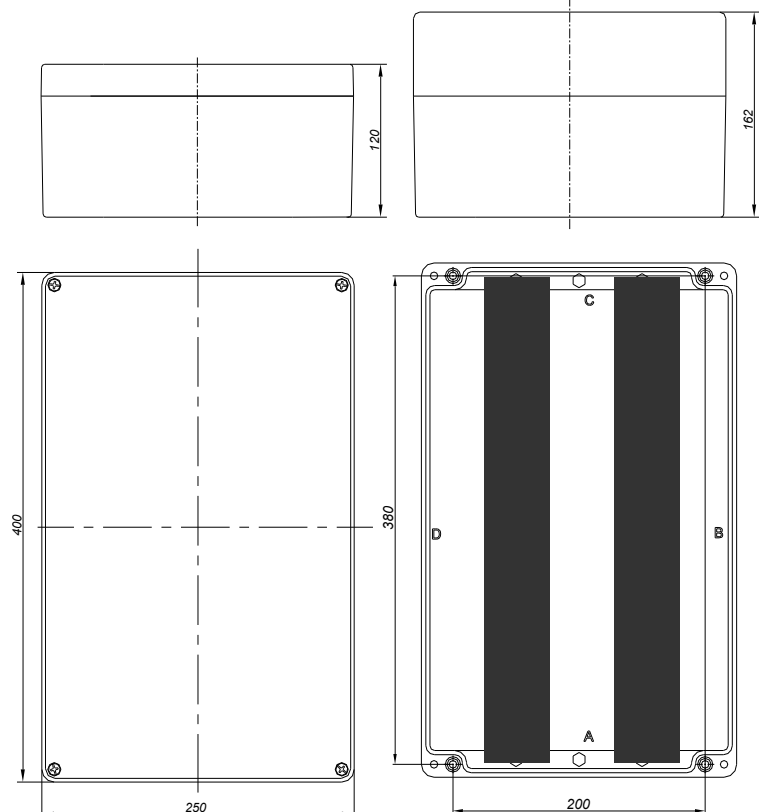
Length of removing insulation on the conductor and torque tightening the screw terminals: 35 mm<sup>2</sup> - 17 mm - 5,0 Nm  
50  
70

**Terminal fittings, number of conductors which can be fitted depending on conductor cross-section and continues current**

Max. current [A]	CROSS SECTION [mm <sup>2</sup> ]								
	Rated cross section of conductors - rated cross section of terminals								
	2,5	4	6	10	16	25	35	50	70
6	264								
10	96	244							
16	32	96	148						
20		32	96	148					
25			32	96					
35				32	64				
50	Unallowable combinations				32	36	36		
63					16	24	24	36	36
80						8	8	24	24
100								8	8
Max. number of terminals depending of the enclosure size	128	106	92	70	52	25	25	12	8
	double row assembly					single row assembly			

**Max. number of mounted cable entries:****DIMENSIONS [mm]**

Side	Cable gland	M20	M25	M32	M40	M50	M63
<b>B-D</b>		15	15	9	6	5	4
<b>A-C</b>		7	5	3	3	-	-



**Terminal box SKX 20/E**

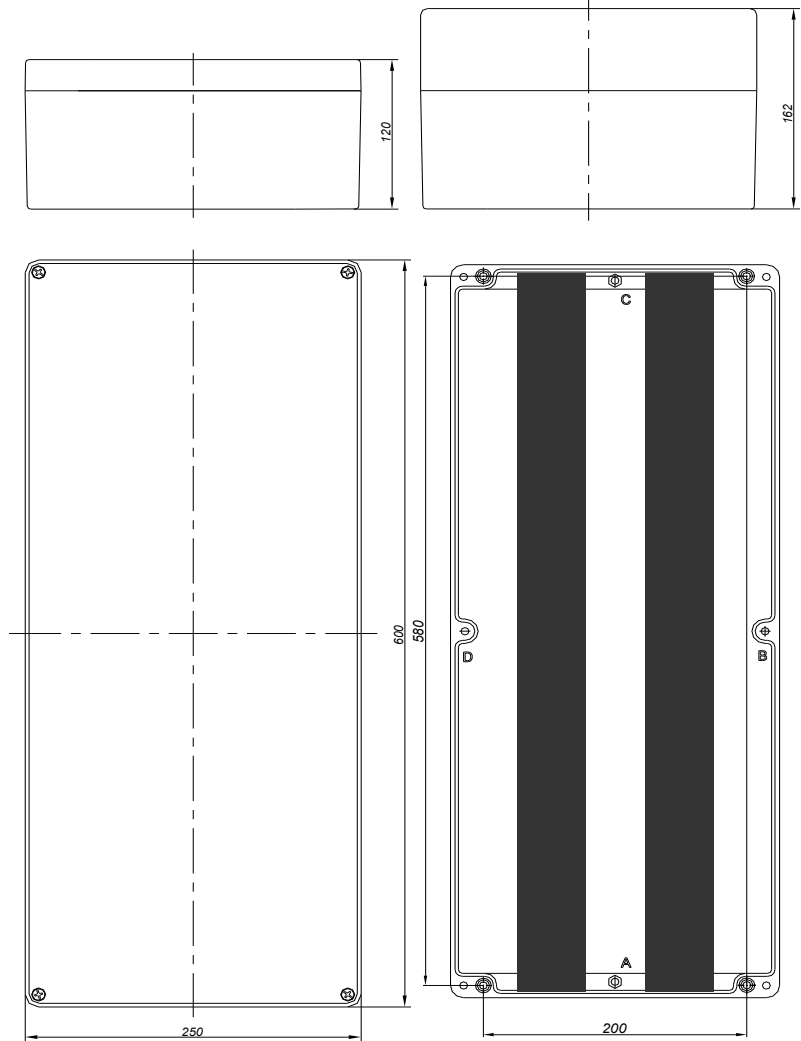
Explosion protected terminal box type SKX 20/E, are intended for connection and distribution cables up to the nominal cross section of 70mm<sup>2</sup>.

**Terminal fittings, number of conductors which can be fitted depending on conductor cross-section and continues current**

Max. current [A]	CROSS SECTION [mm <sup>2</sup> ] Rated cross section of conductors - rated cross section of terminals										
	2,5	4	6	10	16	25	35	50	70		
6	264	Allowed combinations									
10	96									244	
16	32									96	148
20	32									96	148
25	32			96							
35	32				64						
50	Unallowable combinations					32	36	36			
63	Unallowable combinations					16	24	24	36	36	
80	Unallowable combinations						8	8	24	24	
100	Unallowable combinations								8	8	
Max. number of terminals depending of the enclosure size	128	106	92	70	52	25	25	12	8		
	double row assembly					single row assembly					

**Max. number of mounted cable entries: DIMENSIONS [mm]**

Side	Cable gland	M20	M25	M32	M40	M50	M63
<b>B-D</b>		22	22	12	8	6	6
<b>A-C</b>		7	5	3	3	-	-





ATEX



2465

