

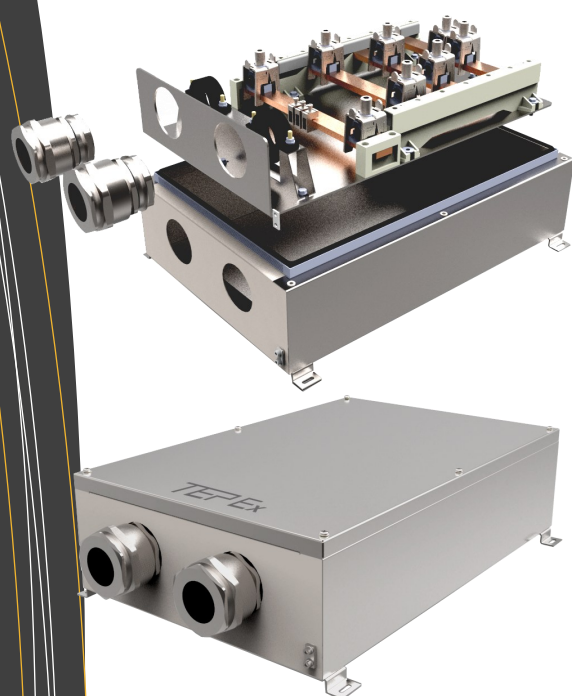
Zone 1, 2, 21, 22

APPLICATION

Busbar enclosure type SKX 604016-./... Is intended for connection and junction cables cross section from 35 mm² up to 150 mm². The busbar enclosure consists of the board with the tripolar busbar and busbar for the grounding which have been built in the AISI 316L enclosure (dimension 600x400x160 mm).

CONSTRUCTION

Enclosure: Stainless steel AISI 316L, 1.5mm
Gasket: EPDM formed gasket



**Ex BUSBAR ENCLOSURE type SKX 604016-./...
INOX AISI 316L**

TECHNICAL DATA

Certificate:	HREx T 13.001
Marking:	CE 2465
Apparatus category:	II 2G II 2D
Marking of explosion protection:	Ex e IIC T6 Gb Ex tb IIIC T80°C Db
Environment temperature:	-20°C ÷ +50°C
Degree of protection:	IP 66
Resistance to shock:	IK 10
Nominal voltage U_n:	690 V AC ±10%
Cable entries:	according to specification

MODEL CODE

SKX 604016- ./ ...

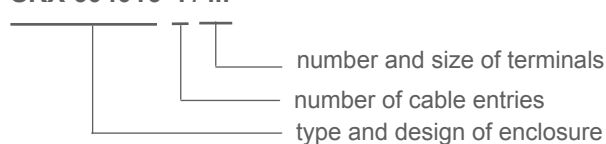
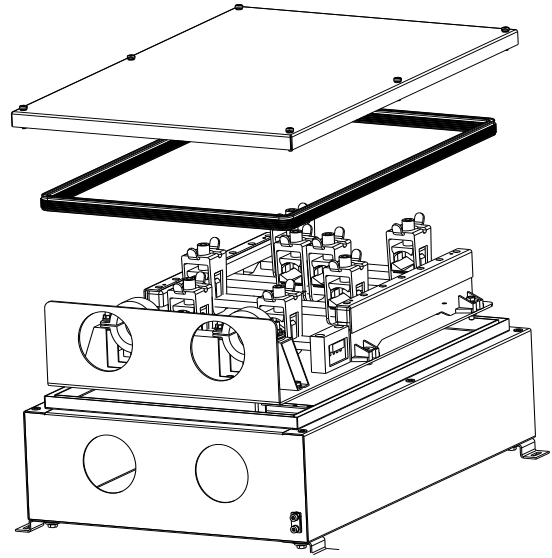
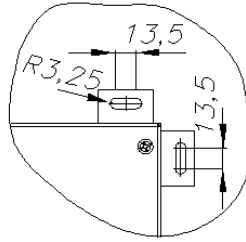
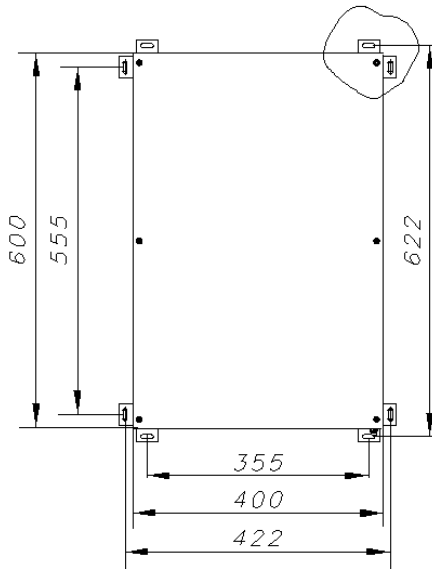


Table of maximum currents:

Terminal	Cross section	t _{amb} -20°C do +40°C	t _{amb} -20°C do +50°C
185 mm ²	150 mm ²	300 A	250 A
	120 mm ²	250 A	200 A
120 mm ²	95 mm ²	200 A	160 A
	70 mm ²	150 A	125 A
	50 mm ²	125 A	100 A
	35 mm ²	100 A	80 A



DIMENSION [mm]



SPARE PARTS AND ACCESSORIES

SKETCH	DESCRIPTION	CODE	SKETCH	DESCRIPTION	CODE
	Cover	SKX 604016/ 10-100		Terminal 35 mm ²	SKX 604016/ 10-170
	Gasket	SKX 604016/ 10-110		Terminal 120 mm ²	SKX 604016/ 10-180
	Cover screw M5x25	SKX 604016/ 10-120		Terminal 185 mm ²	SKX 604016/ 10-190
	Mounting set	SKX 604016/ 10-130		Strain relief set 3/4"	SKX 604016/ 10-200
	Busbar holder PE	SKX 604016/ 10-140		Strain relief set 1"	SKX 604016/ 10-210
	Busbar holder	SKX 604016/ 10-150		Strain relief set 5/4"	SKX 604016/ 10-220
	Busbar ECu 30x10	SKX 604016/ 10-160		Strain relief set 6/4"	SKX 604016/ 10-230