



EQUIPMENT FOR ATEX

# LUCE SEGNALAZIONE OSTACOLI

## OBSTRUCTION LIGHT

GAS II2G Ex d IIC T5 ÷ T5 **Gb**

IP66

Zone 1 - Zone 21 - Zone 2 - Zone 22

DUST II2D Ex tb IIIC T95°C ÷ T295°C **Db**

IP66

❄️ -20°C ÷ ☀️ +40°C

❄️ -20°C ÷ ☀️ +80°C

**Materiale :** corpo : lega leggera  
trasparente : vetro borosilicato  
globo fresnel in policarbonato ( norme ICAO )  
portalampane : ceramico

**Installazione :** varie ( vedi dettagli )

**Viteria :** Acciaio inox AISI 304 - Staffe in acciaio zincato

**Guarnizioni :** +40°C EPDM , +60°C Silicone

**Morsettiera :** 4 mm<sup>2</sup>

**Potenza :** Vedi tabella

**Ingresso :** N° 1 ø3/4"

**Material :** body : light alloy  
transparent : borosilicate glass  
lamp holder : ceramic  
Fresnel polycarbonate globe ( ICAO standard )  
various ( see details )

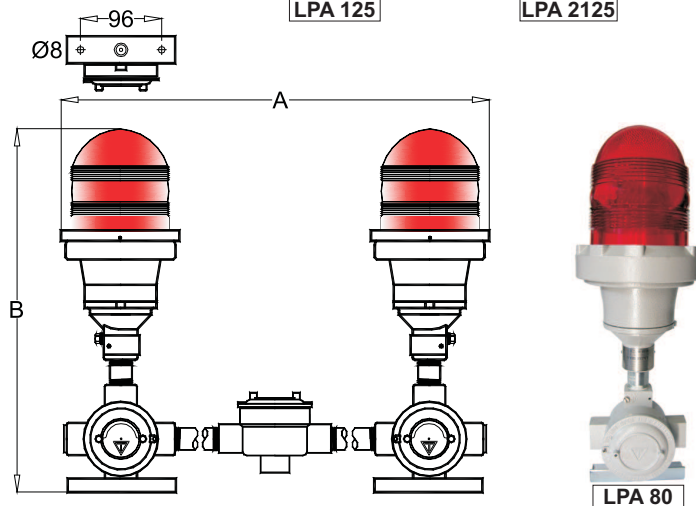
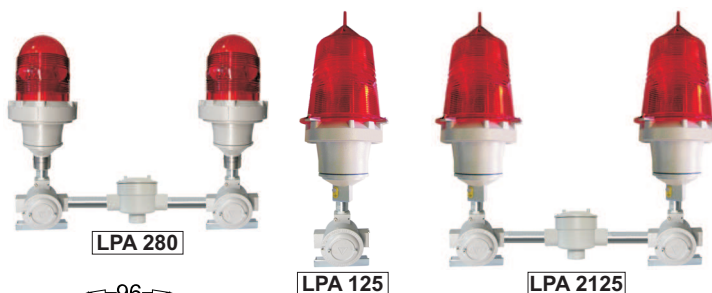
**Installation :** Stainless steel AISI 304 - Galvanized steel lugs

**Gaskets :** +40°C EPDM , +60°C Silicon

**Terminals :** 4 mm<sup>2</sup>

**Power :** See table

**Cable entry :** N° 1 ø3/4"



Codice / Code	EVA	ØA	B	[kg]
LPA 80	1 x EVA 50	128	430	3,0
LPA 280	2 x EVA 50	540	430	6,5
LPA 125	1 x EVA 125	174	560	5,5
LPA 2125	2 x EVA 125	590	560	12,0

	Codice Code	[Vac]	Codice Code	[Vac/dc]	Colore Color	Funzione Function	EVA EVA	Lamp led Led tower	[W]
	EV ..TL0..FA110230	110+230 50+60Hz	EV ..TL0..FA24	24	blu - blue	luce fissa steady light	EVA 50	60 led	5+6
	EV ..TL0..FB110230		EV ..TL0..FB24		bianco - white		EVA 125	80 led	6+7
	EV ..TL0..FG110230		EV ..TL0..FG24		giallo - yellow		EVA 125	100 led	7+8
	EV ..TL0..FR110230		EV ..TL0..FR24		rosso - red		EVA 125	120 led	8+9
	EV ..TL0..FV110230		EV ..TL0..FV24		verde - green		EVA 125	180 led	12+15
	EV ..TL0..LA110230	110+230 50+60Hz	EV ..TL0..LA24	24	blu - blue	luce lamp. flashing light	EVA 50	60 led	5+6
	EV ..TL0..LB110230		EV ..TL0..LB24		bianco - white		EVA 125	80 led	6+7
	EV ..TL0..LG110230		EV ..TL0..LG24		giallo - yellow		EVA 125	100 led	7+8
	EV ..TL0..LR110230		EV ..TL0..LR24		rosso - red		EVA 125	120 led	8+9
	EV ..TL0..LV110230		EV ..TL0..LV24		verde - green		EVA 125	180 led	12+15
	EV ..TL0..RA110230	110+230 50+60Hz	EV ..TL0..RA24	24	blu - blue	luce rotante rotating light	EVA 50	60 led	5+6
	EV ..TL0..RB110230		EV ..TL0..RB24		bianco - white		EVA 125	80 led	6+7
	EV ..TL0..RG110230		EV ..TL0..RG24		giallo - yellow		EVA 125	100 led	7+8
	EV ..TL0..RR110230		EV ..TL0..RR24		rosso - red		EVA 125	120 led	8+9
EV ..TL0..RV110230	EV ..TL0..RV24		verde - green		EVA 125		180 led	12+15	

	Codice Code	[Vac]	Codice Code	[Vac/dc]	Xenon Xenon	Colore Color	Funzione Function	EVA EVA	[W]
	EV 50LAX110+230	110-230 50+60Hz	EV 50LAX24	24	6 JOULE	blu - blue giallo - yellow rosso - red verde - green	luce lamp. flashing light	EVA 50	10
	EV 50LBX110+230		EV 50LBX24						
	EV 50LGX110+230		EV 50LGX24						
	EV 50LRX110+230		EV 50LRX24						
	EV 50LVX110-230		EV 50LVX24						
	EV 125L16AX110+230	110-230 50+60Hz	EV 125L16AX24	24	16 JOULE	blu - blue giallo - yellow rosso - red verde - green	luce lamp. flashing light	EVA 125	20
	EV 125L16BX110+230		EV 125L16BX24						
	EV 125L16GX110+230		EV 125L16GX24						
	EV 125L16RX110+230		EV 125L16RX24						
	EV 125L16VX110+230		EV 125L16VX24						
	EV 125L20AX110+230	110-230 50+60Hz	EV 125L20AX24	24	20 JOULE	blu - blue giallo - yellow rosso - red verde - green	luce lamp. flashing light	EVA 125	30
	EV 125L20BX110+230		EV 125L20BX24						
	EV 125L20GX110+230		EV 125L20GX24						
	EV 125L20RX110+230		EV 125L20RX24						
EV 125L20VX110+230	EV 125L20VX24								

esempio : EV 80TL100RG24 : lampada tower led a N° 100 led 24Vac/dc luce gialla rotante  
sample : EV 80TL100RG24 : tower led lamp with N° 100 led 24Vac/dc rotating yellow light

P3