

BExBGL1 L.E.D. Beacon

The flameproof BExBGL1 L.E.D. beacon is suitable for Zone 1, 2, 21 & 22 applications.

With an array of 32 high output L.E.D.s the BExBGL1 unit is a multi-functional beacon suitable for all signalling applications. The robust construction makes installation in the harshest of environments possible. Additional features include UV stable prismatic lens, stainless steel guard and mounting bracket as standard. Multi-function: The BExBGL1 features a total of 9 modes of operation: 4 rotating effect modes, 4 flashing modes and a steady mode for use in indicator / status applications. Based on the mode selected the user can also select two alternative L.E.D. modes remotely.

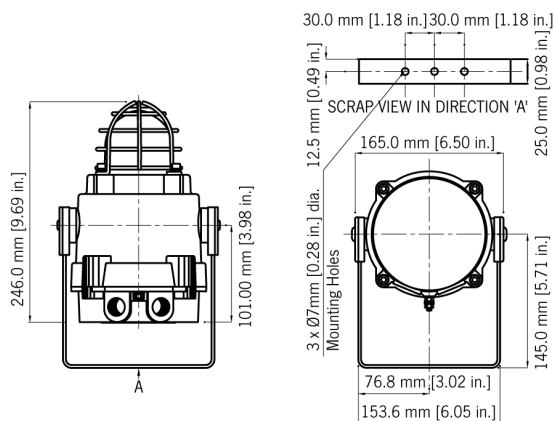
Features

- Marine grade, corrosion proof, LM6 aluminium enclosure
- Dual M20 cable entries
- Ingress protection of IP66/67.
- Glass dome with optically enhanced prismatic PC lens
- Stainless Steel guard
- Very large termination area.
- Ratchet adjustable stainless steel 'U' bracket.

Approvals

- ATEX certificate: KEMA 00ATEX2006,
EN 60079-0 : 2006, EN 60079-1 : 2007,
EN 61241-0 : 2006, EN 61241-1 : 2004
- IECEx certificate: IECEx KEM 10.0002,
IEC 60079-0 : 2004 (Ed4), IEC 60079-1 : 2007 (Ed6),
IEC 61241-0 : 2004 (Ed1), IEC 61241-1 : 2004 (Ed1)
- GOST-R certificate: POCC GB.JB05.B03365
- Safety integrity suitability: SIL1
- Inmetro certificate: 10IEx-0010





Specification

Light source:	Array of 32 high output L.E.D.s
Effective Candela:	11cd* - measured ref. to I.E.S.
Lens colours:	Amber, Blue, Green, Red & Yellow
Voltages DC:	10-50V dc
Voltages AC:	24V ac; 115V ac; 230V ac
Ingress protection:	IP66/67
Housing material:	Marine grade copper free LM6 Aluminium
Housing finish:	Phosphated & powder coated finish - anti-corrosion.
Colour:	RAL3000 Red (others available on request)
Cable entries:	Dual M20 ISO (one stopping plug inc)
Terminals:	0.5 to 2.5mm ² cables.
Line monitoring :	Min. 500 Ohm 2w, or 3k3 Ohm 0.5w res. or diode (dc versions).
Weight:	DC:2.45kg/5.39lbs AC: 2.75kg/6.05lbs

*All candela data is representative of performance with clear lens at optimum voltage.

Part Codes

Part Code:
BExBGL1D**

Classification:

ATEX/IECEX:
II 2G Ex d IIC T4 Ta. -50° to +70°C
II 2G Ex d IIC T5 Ta. -50° to +40°C
II 2D Ex tD A21 IP67 T120 Ta. +70°C
(based on max. Ta. 70°C)

GOST-R:
1ExdIICT5 Ta. -50° to +55°C
1ExdIICT4 Ta. -50° to +40°C
DIP A21 Ta T4

* = Voltage & lens colour reference:

Voltage options: 24DC (10-50V dc), 115AC, 230AC, 24AC

Lens colour options: -AM (Amber) -BL (Blue) -GN (Green)
-RD (Red) -YW (Yellow)

e.g. BExBGL1D230AC-AM

Current Consumption

Version:		Voltage:	Current:
24V dc	□	10-50V dc	400mA
48V dc	□	10-50V dc	230mA
24V ac	50Hz/60Hz	+/-10%	812mA
115V ac	50Hz/60Hz	+/-10%	140mA
230V ac	50Hz/60Hz	+/-10%	70mA

Multi-function patterns

Stage 1: [On board]	Stage 2: [Rem ote]	Stage 3: [Rem ote]
All L.E.D's on	Alt Side Flash 1:1 2Hz	2x Flash 2Hz
Rotating: Fast 1	1x Flash 2Hz	All L.E.D's on
Rotating: Fast 2	2x Flash 2Hz	All L.E.D's on
Rotating: Slow 1	Alt Side Flash 1:1 2Hz	All L.E.D's on
Rotating: Slow 2	2x Flash 1Hz	All L.E.D's on
Double Flash 1Hz	Alt Side Flash 1:1 2Hz	All L.E.D's on
1x Flash 2Hz	Rotating: Fast 2	All L.E.D's on
2x Flash 2Hz	Rotating: Fast 2	All L.E.D's on
Alt Side Flash 1:1 2Hz	Rotating: Fast 2	All L.E.D's on