

ORION

- **Certified Fitting**
- IP65 protection rating
- The base and the lampshade are made of high quality, V0 class PC polycarbonate
- Power supply voltage: 230 V 50 Hz
- Source of light: T5 8 W tube or LED diodes
- Functions: A – non-maintained version or SA – maintained (universal*) version
- Ni-Cd HT batteries with the autonomy time: 3 h
Charging: 24 h
- Ceiling or wall installation
- For illuminating evacuation routes and exits in public utility buildings
- In preparation: autotest

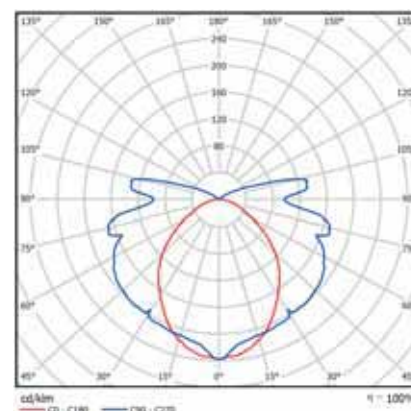
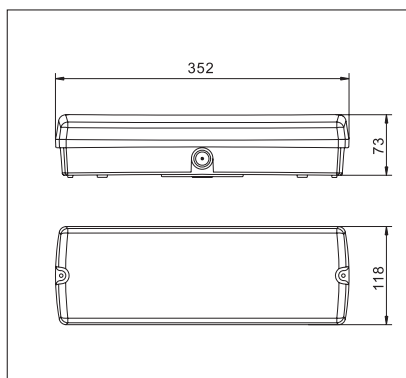
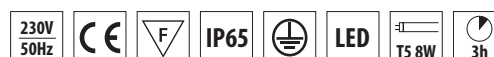
* It can be wired as the A – non-maintained version.



ORION T5 8 W



ORION LED



Universal pictogram in the kit



Optionally available pictograms



Model	Catalogue number	Source of light	Function	Autonomy	Dimensions	Weight (kg)	Multi-pack
ORION A 3 h	39954	T5 8 W	A	3 h	352x117x76	1,20	12 units
ORION SA 3 h	39955	T5 8 W	SA	3 h	352x117x76	1,20	12 units
ORION LED A 3 h	39957	LED	A	3 h	352x117x76	1,00	12 units
ORION LED SA 3 h	41628	LED	SA	3 h	352x117x76	1,00	12 units

OPTIONALLY AVAILABLE PICTOGRAMS

Model	Catalogue Number	Dimensions
Pictogram: EVACUATION EXIT	39962	300x100
Pictogram: EXIT DOWN	39977	300x100
Pictogram: EXIT TO THE RIGHT	39978	300x100
Pictogram: EXIT TO THE LEFT	39979	300x100
Pictogram: STAIRS DOWN TO THE RIGHT	39980	300x100
Pictogram: STAIRS DOWN TO THE LEFT	39981	300x100
Pictogram: STAIRS UP TO THE RIGHT	39982	300x100
Pictogram: STAIRS UP TO THE LEFT	39983	300x100