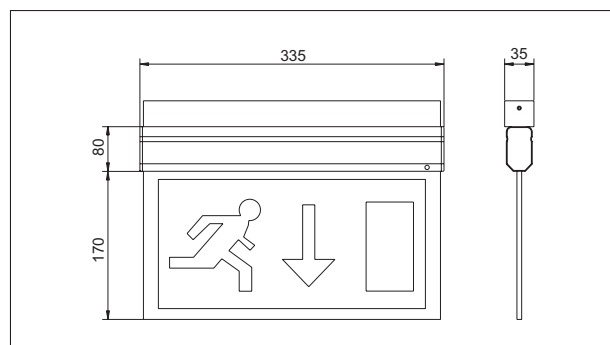
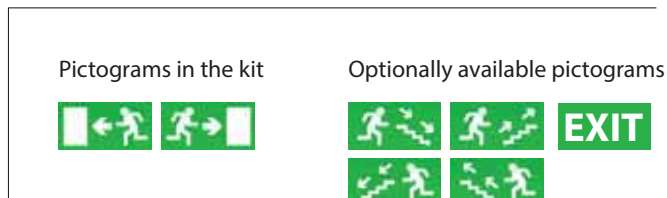




OXIMIA



- **Certified Fitting**
- IP20 Protection rating
- Steel powder coated profile, PMMA board
- Power supply voltage: 230 V 50 Hz
- Sources of light: LED diodes
- Functions: A – non-maintained version or SA – maintained version
- Ni-Cd HT batteries with the autonomy time: 3 h
Charging: 24 h
- Manual test
- Ceiling installation
- For illuminating evacuation directions and designating evacuation exits in public utility buildings
- Visibility: 30 m



Model	Catalogue number	Source of light	Function	Autonomy	Weight (kg)	Multi-pack dimensions (cm)	Multi-pack
OXIMIA SA/A 3 h	40095	LED	SA	3 h	1,10	39x28,5x30	5 units

* Only the SA version, wiring as the A version is not available

OPTIONALLY AVAILABLE PICTOGRAMS

Model	Catalogue Number	Dimensions	Packaging
Pictograms: EVACUATION EXIT for OXIMIA	40096	310x150	2 units
Pictograms: EXIT DOWN for OXIMIA	40542	310x150	2 units
Pictograms: STAIRS UP	99959	310x150	2 units
Pictograms: STAIRS DOWN	99960	310x150	2 units