



### APPLICATION

The pendant light fitting type PLFM LED is intended for use in places with an explosive gas and dust atmosphere. The light fitting is designed for use in the industrial areas and facilities, indoor and outdoor spaces.

Hazardous zones: 1, 2, 21, 22.

### CONSTRUCTION

Housing: aluminium powder painted casting

Diffuser: borosilicate glass

Accessories: protected galvanized steel gird (INOX on request), assembly kit for wall, pipe and ceiling mounting

### TECHNICAL DATA

<b>Certificate:</b>	EXA 14 ATEX 0056X
<b>Marking:</b>	CE 0722
<b>Apparatus category:</b>	II 2GD
<b>Marking of explosion protection:</b>	<div style="display: flex; align-items: center;"> <div style="margin-right: 10px;"> </div> <div>           II 2G Ex d e IIC T6-T3 Gb            II 2G Ex d IIC T6-T3 Gb            II 2D Ex tb IIIC T80°C/T155°C Db         </div> </div>
<b>Ambient temperature:</b>	$-20^{\circ}\text{C} \leq T_a \leq +40^{\circ}\text{C}$
<b>Degree of protection:</b>	IP 66 category 1
<b>Resistance to shock:</b>	IK 08
<b>Protection class :</b>	I (protective earthing)
<b>Rated voltage:</b>	See selection table
<b>Frequency:</b>	50Hz (60Hz on request)
<b>Rated power:</b>	See selection table
<b>Cable entries:</b>	two entries M20
<b>Connecting terminals:</b>	L, N, PE; max. $2 \times 2,5 \text{ mm}^2$ solid, flexible terminal for external -PA connection; max $2 \times 6 \text{ mm}^2$ tightening torque for screw clamp 2,2 Nm
<b>Cable gland and plug:</b>	one Ex d plug and one Ex de adapter, type ADP 03/23, for cable $\phi$ 6-15 mm
<b>Weight:</b>	3,4 kg
<b>Packing:</b>	The packing contains: 2 pcs 440x260x170mm

### MOUNTING

Pendant, on pipe, wall, ceiling



EXA 14 ATEX 0056X

CE 0722

IP 66



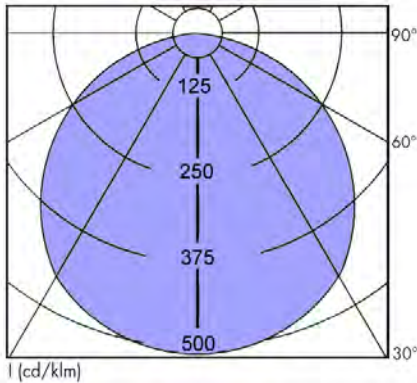
E 27

-20°C

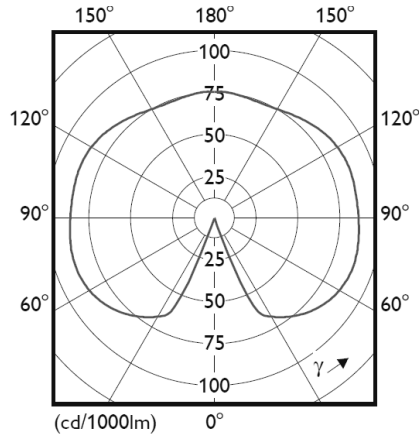
+40°C

**MODEL CODE**

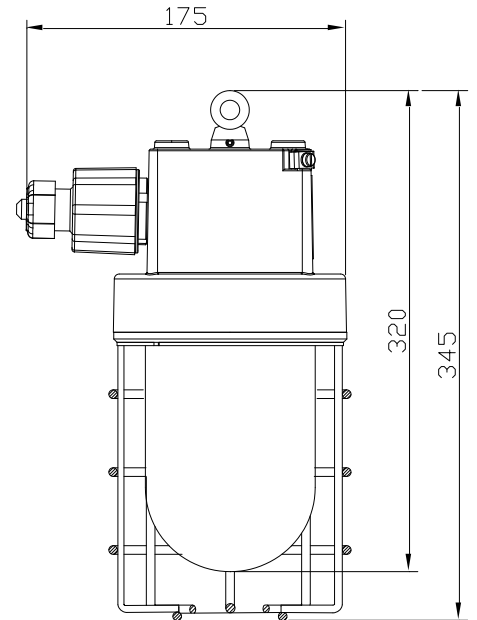
MODEL CODE	WATTAGE	LAMP TYPE	NOMINAL VOLTAGE	LUMINOUS FLUX [lm]	TEMPERATURE CLASS (gas)	
					T <sub>a</sub> =40°C	T <sub>0</sub> MAX (dust) T <sub>a</sub> =40°C
PLFM 100/3-	12 W Osram	E27 LED	230V	810	T6	80°C
	13 W Philips			1055		
PLFM 20 LED	20 W	LED MODUL	230V	1300		

**POLAR CURVE****DIMENSION DRAWING** (all dimensions in mm)

Vossloh-Schwabe  
LED module  
20W, 1300 lm



Master LEDbulb Osram  
12W, 800 lm

**SPARE PARTS AND ACCESSORIES**

SKETCH	DESCRIPTION	CODE	SKETCH	DESCRIPTION	CODE
	Replacement glass PLFM	PLFM 10-120		Ex e cable gland M25	SPU 25
	Wire guard PLFM	PLFM 10-130		Ex e plug M25,	SPC 25
	Gasket PLFM	PLFM 10-140		LED Light bulb	According to type table
	PLFM LED module, set	PLFM 10-170		PLFM fixing bracket for tube R2"	PLFM 20-120
	Junction box ADP 23	PLFM 20-110		PLFS-T mounting bracket (ceiling mounting)	PLFM 20-130
				PLFS-T mounting bracket (wall mounting)	PLFM 20-140