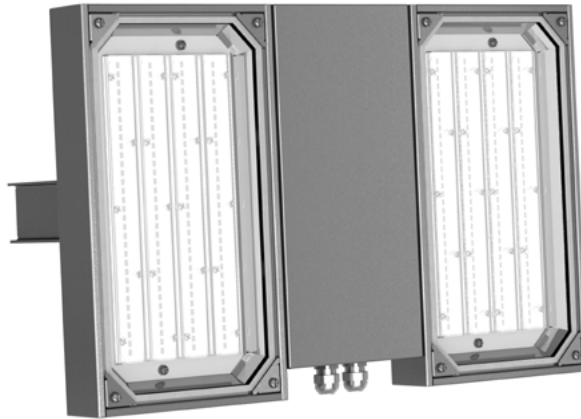


EXL380LED



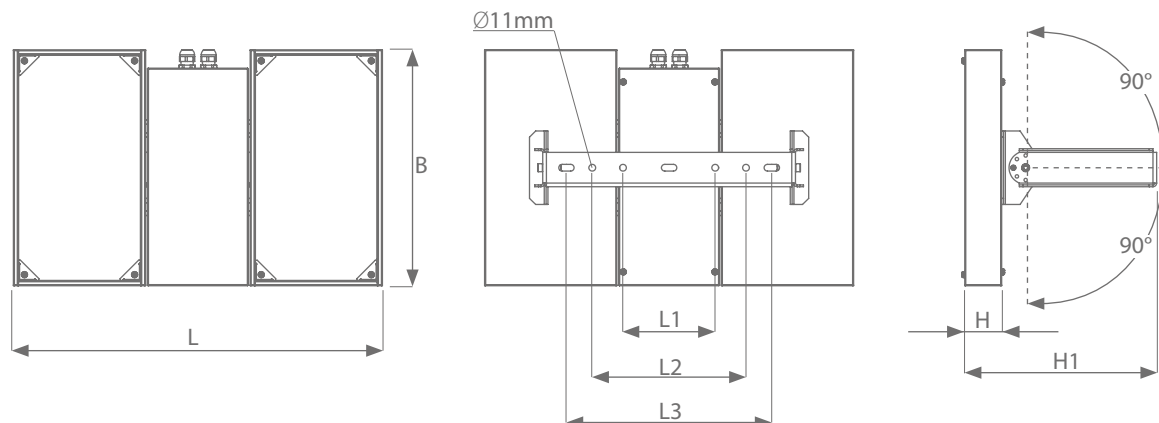
II 3G Ex nA IIC T4 Gc
II 3D Ex tc IIIC T100°C IP66/67 Dc



Explosionproof, stainless steel light fitting with LED modules and special optics. Designed to use in zones 2,22 of gas and steam of flammables liquids, as well as combustible dusts and fibers explosion hazard areas.

TECHNICAL DATA:	Light source type: LED modules Protection class: I Protection degree: IP65 CRI: >80	Long lifetime: 50 000 h $L_{70}B_{10}$ Colour temperature: 4000K Ambient temp.: from -40°C to +40°C Power factor: $\geq 0,97$
CONSTRUCTION:	Housing: stainless steel Diffuser: polycarbonate UV stabilized	
MOUNTING:	Luminaire for direct installation with use of mounting bracket	
ELECTRICAL UNIT:	230V, 0/50-60Hz, terminal block: 3x2.5 mm ²	
CERTIFICATE:	ATEX in progress	

TYPE OF LIGHT FITTING	LUMINOUS FLUX [lm]	POWER CONSUMPTION [W]	EFFICIENCY [lm/W]
EXL380LED-090-E8	10404	90	116
EXL380LED-130-E12	15606	130	120



TYP TYPE	L	B	H	H1	L1	L2	L3
EXL380LED-090-E8	600	385	60	320	150	250	335
EXL380LED-130-E12	805	385	60	320	150	250	335