

TROLLEYS



TROLLEYS



Capacities: 0.25 t up to 20 t

JDN Trolleys are available for all hoists of the PROFI and M series:

- Manual trolleys (LN) for pushing or pulling the trolleys by hand
- Reel chain trolleys (LH) for moving the trolleys by operating the reel chain mechanism
- Motorised trolley (LM) air motor powered

Standard Features

- Easy to install
- With anti-climb and anti-drop devices
- Robust manufacture requiring little maintenance
- Able to negotiate curves

Options

- Rack and pinion drive
- Spark-resistant package
- Offshore paint

Energy Feeding Systems

The air supply can be fed by various systems:

- Energy chain
- C-rail
- Square rail
- Spiral hose
- Hose trolleys



PROFI 1TI in Manual Trolley



PROFI 1TI in Reel Chain Trolley



PROFI 2TI in Motor Trolley



Technical Data

JDN Air Hoist PROF1		025 TI		05 TI	1 TI	1.5 TI		2 TI	3 TI/2		3 TI	6 TI	10 TI		16 TI	20 TI
Capacity of trolley LN	mt	0.5			1	2			3.2			6.3	10-16			-
Capacity of trolley LH and LM	mt				2				3.2			6.3	10-16			20
Capacity of hoist with trolley	mt	0.25	0.5		1	1.6	2		3.2			6.3	10	16		20
Weight of Manual Trolley (LN)	lbs	17			23.1	39.6			57.3			257.9	418.9			-
	kg	7.7			10.5	18			26			117	190			-
Weight of Reel Chain Trolley (LH)	lbs				57.3				81.6			280	485			628.3
	kg				26				37			127	220			285
Weight of Motor Trolley (LM)	lbs				57.3				72.8			273.4	485			628.3
	kg				26				33			124	220			285
Hoist weight, standard lift	lbs	59.5	59.5	61.7	123.5	75	145.5	189.6	242.5	344	529	628.3				
	kg	27	27	28	56	34	66	86	110	156	240	285				
Total weight with standard lift Manual Trolley	lbs	76.5	76.5	84.9	163.1	114.6	202.8	246.9	500.4	762.8	948	-				
	kg	34.7	34.7	38.5	74	52	92	112	227	346	430	-				
Total weight with standard lift Reel Chain Trolley	lbs	116.8	116.8	119.1	180.8	132.3	227.1	271.1	522.5	829	1014	1257				
	kg	53	53	54	82	60	103	123	237	376	460	570				
Total weight with standard lift Motor Trolley	lbs	116.8	116.8	119.1	180.8	132.3	218.3	262.4	515.9	829	1014	1257				
	kg	53	53	54	82	60	99	119	234	376	460	570				
Weight of chain	lbs/ft	0.67			1.2	0.67	1.2	2.6				3.9				
	kg/m	1			1.8	1	1.8	3.8				5.8				
Chain dimension	mm	7x21			9x27	7x21	9x27	13x36				16x45				
Number of chain strands		1			2	1		2	3		4					
Air pressure Motor Trolley	PSI	85			65-85	85	65-85	85								
	bar	6			4-6	6	4-6	6								
Air consumption Motor Trolley ⁴ (at full load)	cfm				21.2								45.9			
	m ³ /min				0.6								1.3			
Air consumption hoist (at full load)	cfm	53			53-92	53	53-92	194.2								
	m ³ /min	1.5			1.5-2.6	1.5	1.5-2.6	5.5								
Motor output Motor Trolley ⁴	kW				0.2								0.7			
Motor output hoist	kW	1			1.3-2	1	1.3-2	3.5								
Travelling distance Reel Chain Trolley, chain reel off	33 ft				4.6						3.6		3.3			
	10 m				1.4						1.1		1.0			
Travelling speed Motor Trolley ⁴ (at full load)	ft/min				29.5*/45.9								16.4*/39.4			
	m/min				9*/14								5*/12			
Hose connection Motor Trolley		G 1/2			G 3/4	G 1/2	G 3/4									
Minimum radius Manual Trolley	ft	3 ¹		3.3 ¹	3.9 ¹		1.6 ¹		3.3 ¹							
	m	0.9 ¹		1.0 ¹	1.2 ¹		0.5 ²		1 ²							
Minimum radius Reel Chain Trolley and Motor Trolley	ft				1.6 ²		3.3 ²		4.9 ²							
	m				0.5 ²		1 ²		1.5 ²							
Max. bottom flange thickness t Manual Trolley	inch	1.2		1.0	1.1		1.6		2.6 ⁵							
	mm	30		25	28		40		65 ⁵							
Max. bottom flange thickness t Reel Chain and Motor Trolley	inch				1.6		2.6 ⁵		65 ⁵							
	mm				40		65 ⁵		65 ⁵							
Max. bottom flange width b Manual Trolley	inch	8.7			12		12.2									
	mm	220			305		310									
Max. bottom flange width b Reel Chain and Motor Trolley	inch			11			12.2									
	mm			280			310									
Min. bottom flange width b Manual Trolley	inch	2	2.3	2.6	2.3	2.1	5									
	mm	50	58	66	58	54	128									
Min. bottom flange width b Reel Chain and Motor Trolley	inch			2			2.3	2.1	5							
	mm			50			58	54	128							
Noise level at Motor Trolley ^{3,4}	dB(A)						80									

*1st speed of F control with two speeds

¹Measured at the middle of the beam

²Measured at the inner edge of the beam

³Measured at 1m distance acc. to DIN 45635 part 20

⁴At 6 bar

⁵55 mm, if hoist is suspended

The designation of the trolley is composed of the short code (LN, LH, LM) and the carrying capacity acc. to table, as for example LN 1t.

- Capacities over 20 t see JDN Monorail Air Hoists page 26
- Versions with one and two hooks (e.g. BBH) see page 23
- Low Headroom Trolleys for restricted headrooms see page 21

TROLLEYS

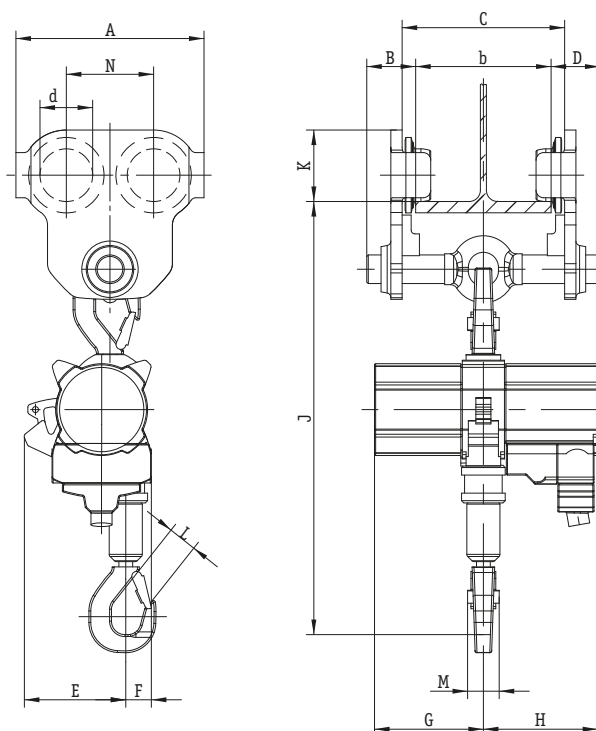


PROFI in Manual Trolley (LN)

Dimensions

JDN Air Hoist PROFI		025 TI	05 TI	1 TI	1.5 TI	2 TI	3 TI/2	3 TI	6 TI	10 TI	16 TI
With Trolley		LN 0.5 t		LN 1 t	LN 2 t		LN 3.2 t		LN 6.3 t	LN 10-16 t	
A	inch mm	10.2 260			12.2 310		11.5 292		19.7 500	19.3 490	
B max.	inch mm	4.7 119		4.8 122	6.4 162		4.5 113		5.6 141	5.8 142	
C	inch mm	b + 1.1 b + 28			b + 1 b + 26		b + 2.4 b + 60			b + 2.8 b + 70	
d	inch mm	2.2 55		2.7 68	3.2 80		3.3 84			6.5 165	
D max.	inch mm	4.7 119			4.8 122		4.5 113		5.6 141	5.8 142	
E	inch mm	5.4 137			5.7 170	5.4 137	5.5 140	7.4 187	6.1 154	7.8 197	7.8 199
F	inch mm	1.5 39			1.8 45	1.8 46	3.0 75	1.8 46	3.1 79	4.3 109	
G	inch mm	5.7 145			7.9 200	5.7 145	7.9 200	9.2 233		12.1 308	15 382
H	inch mm	6 152			3.3 212	6 152	3.3 212	9.8 250		10.5 267	12.2 310
J* (mounted)	inch mm	- -	- -	- -	- -	- -	24.1 613	25 635	30 763	37 929	39 982
J* (suspended)	inch mm	20.9 530			23.1 588	23.5 597	- -	31.4 798	36.2 919	46.3 1176	49.6 1260
K	inch mm	2.7 67.5		3.2 81.5	3.7 94		4.2 107			7.4 188	
L	inch mm	1.1 28			1.0 26	1.1 28		1.2 30	1.6 40	1.7 44	2.1 53
M	inch mm	1.7 42			1.6 40	1.7 42		2 51	2.6 66	3.2 82	
N	inch mm	5.1 130			5.9 150		5.4 136			9.3 236	

*Chain containers increase the hoist headroom



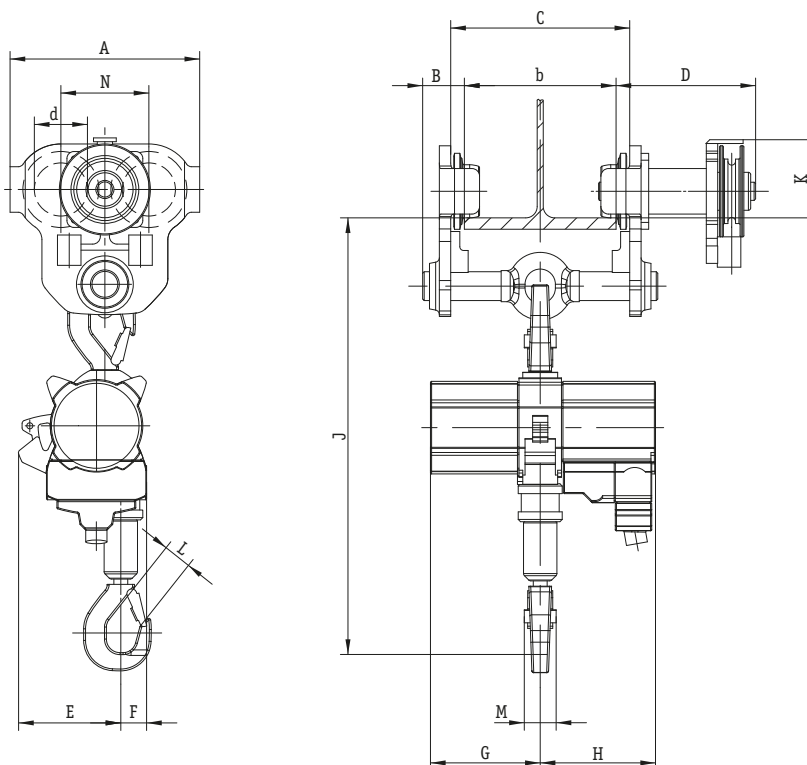


PROFI in Reel Chain Trolley (LH)

Dimensions

JDN Air Hoist PROFI		025 TI	05 TI	1 TI	1.5 TI	2 TI	3 TI/2	3 TI	6 TI	10 TI	16 TI	20 TI
With Trolley		LH 2 t			LH 3.2 t			LH 6.3 t		LH 10-16 t		LH 20 t
A	inch mm	9.8 250			11.5 292			19.7 500		19.3 490		23.6 600
B max.	inch mm	5.1 130			4.4 113			5.6 141		5.6 142		5.2 132
C	inch mm	b + 1.4 b + 36			b + 2.4 b + 60			b + 2.8 b + 70		b + 2.7 b + 68		
d	inch mm	2.8 70			3.3 84			6.5 165		7.3 185		
D	inch mm	11.2 284		11.1 283	11.2 284	11.7 297	11.6 294	12.1 307	12.6 320		12.6 320	
E	inch mm	5.4 137		6.7 170	5.4 137	5.5 140	7.4 187	6.1 154	7.8 197	7.8 199	7.1 180	
F	inch mm	1.5 39		1.7 45	1.8 46	3.0 75	1.8 46	3.1 79	4.3 109		5.3 135	
G	inch mm	5.7 145		7.9 200	5.7 145	7.9 200	9.2 233		12.1 308		15 382	
H	inch mm	6 152		3.3 212	6 152	3.3 212	9.8 250		10.5 267		12.2 310	
J* (mounted)	inch mm	- -	- -	- -	- -	- -	24.1 613	25 635	30 763	37 929	39 982	44.3 1125
J* (suspended)	inch mm	22.2 563		23.7 602	24.1 611	- -	31.4 798	36.2 919	46.3 1176	46.1 1171	58.1 1475	
K	inch mm	4.1 103			4.4 110			8.5 215		8.9 226		
L	inch mm	1.1 28		1.0 26	1.1 28		1.2 30	1.6 40	1.7 44	2.1 53	2.9 75	
M	inch mm	1.7 42		1.6 40	1.7 42		2 51	2.6 66	3.2 82	3.4 86		
N	inch mm	4.6 116			5.4 136			9.3 236		10.8 274		

*Chain containers increase the hoist headroom



TROLLEYS



PROFI in Motor Trolley (LM)

Dimensions

JDN Air Hoist PROFI		025 TI	05 TI	1 TI	1.5 TI	2 TI	3 TI/2	3 TI	6 TI	10 TI	16 TI	20 TI
With Trolley				LM 2 t				LM 3.2 t	LM 6.3 t	LM 10-16 t		LM 20 t
A	inch			9.8				11.5	19.7	19.3		23.6
	mm			250				292	500	490		600
B max.	inch			5.1				4.4	5.6	5.6		5.2
	mm			130				113	141	142		132
C	inch			b + 1.4				b + 2.4		b + 2.8		b + 2.7
	mm			b + 36				b + 60		b + 70		b + 68
d	inch			2.8				3.3		6.5		7.3
	mm			70				84		165		185
D	inch		7.2		7.3	7.2		7.5	8.1	12.9		12.9
	mm		183		185	183		191	205	328		328
E	inch		5.4		6.7	5.4	5.5	7.4	6.1	7.8	7.8	7.1
	mm		137		170	137	140	187	154	197	199	180
F	inch		1.5		1.7	1.8	3.0	1.8	3.1	4.3		5.3
	mm		39		45	46	75	46	79	109		135
G	inch		5.7		7.9	5.7	7.9		9.2	12.1		15
	mm		145		200	145	200		233	308		382
H	inch		6		3.3	6	3.3		9.8	10.5		12.2
	mm		152		212	152	212		250	267		310
J* (mounted)	inch	-	-	-	-	-	24.1	25	30	37	39	44.3
	mm	-	-	-	-	-	613	635	763	929	982	1125
J* (suspended)	inch		22.2		23.7	24.1	-	31.4	36.2	46.3	46.1	58.1
	mm		563		602	611	-	798	919	1176	1171	1475
K	inch			3.7				4.2		7.4		8.6
	mm			95				107		188		218
L	inch		1.1		1.0	1.1		1.2	1.6	1.7	2.1	2.9
	mm		28		26	28		30	40	42	55	75
M	inch		1.7		1.6		1.7		2	2.6	3.2	3.4
	mm		42		40		42		51	66	82	86
N	inch			4.6				5.4		9.3		10.8
	mm			116				136		236		274

*Chain containers increase the hoist headroom

