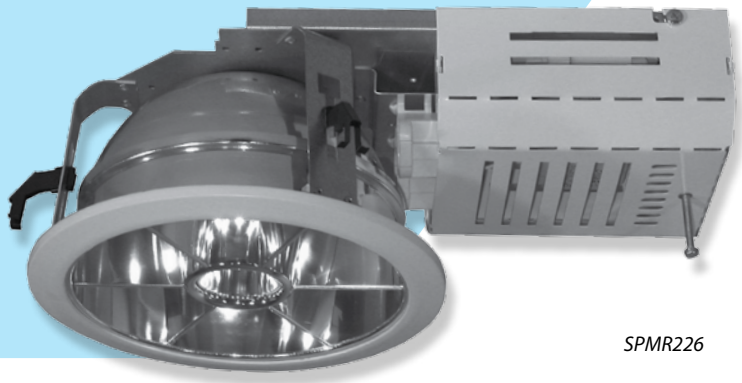


SPMR



SPMR226

Recessed louvres downlights

Body:

Zinc-coated steel sheet, white painted gear box, white aluminium ring.

Optic:

Highly polished aluminium louvre R6
Highly polished aluminium reflector

Wiring (#):

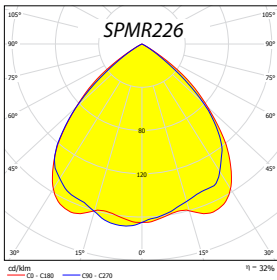
N - uncompensated, ballast cat. B
K - compensated, ballast cat. B
EP - high frequency ballast
EPSA - HFB analogue dimmable (1-10 V)
EPSD - HFB digital dimmable TRIDONIC ECO
EPSDD - HFB digital dimmable DALI

Application:

Recessed metal downlight for installation into false ceiling.

Versions:

NZ - emergency pack (only for fittings with electronic ballast)



	W	A	B	C		kg
SPMR113#MB170	1x13	360	120	190	170	1,3
SPMR118#MB170	1x18	360	120	190	170	1,5
SPMR213#MB170	2x13	360	120	190	170	1,7
SPMR218#MB170	2x18	360	120	190	170	1,8

	W	A	B	C		kg
SPMR113#MB200	1x13	370	140	225	210	1,4
SPMR118#MB200	1x18	370	140	225	210	1,6
SPMR126#MB200	1x26	370	140	225	210	1,7
SPMR132EPMB200	1x32	370	140	225	210	1,3
SPMR142EPMB200	1x42	370	140	225	210	1,3
SPMR213#MB200	2x13	370	140	225	210	1,9
SPMR218#MB200	2x18	370	140	225	210	2,0
SPMR226#MB200	2x26	370	140	225	210	2,1
SPMR232EPMB200	2x32	370	140	225	210	1,4
SPMR242EPMB200	2x42	370	140 <td 225	210	1,4	

	W	A	B	C		kg
SPMR126#MB250	1x26	400	180	260	245	1,8
SPMR132EPMB250	1x32	400	180	260	245	1,4
SPMR142EPMB250	1x42	400	180	260	245	1,4
SPMR226#MB250	2x26	400	180	260	245	2,2
SPMR232EPMB250	2x32	400	180	260	245	1,5
SPMR242EPMB250	2x42	400	180	260	245	1,5

